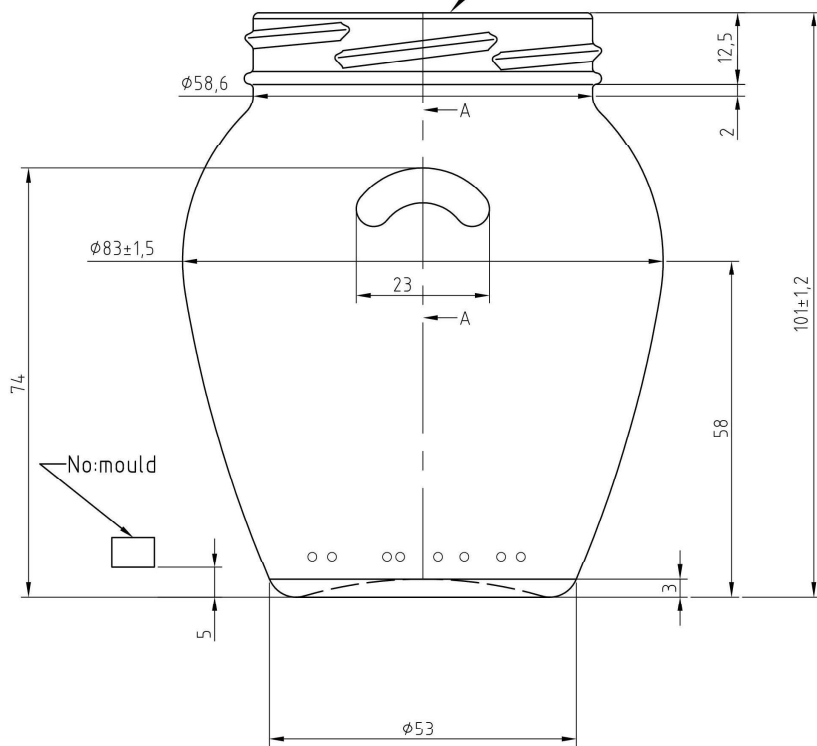
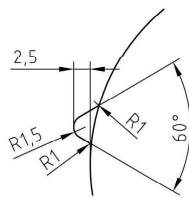


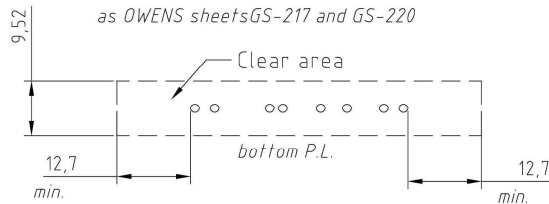
TO 63 Bead (FD 138)



SECTION A-A



other dimensions and information
as OWENS sheets GS-217 and GS-220



NAME	DATE	REVISIONS	MOLD NO.				
			FINISH	FIN 079		A3	BA
			CAP. BRIMF.	314 ± 10ml	MACHINE	IS-PB	BOTTLE
			CAP. FILLPT.		DATE	05/04/2004	JAR AMFORA
			FILL LINE		DRAWN	Angelov	CAT.No & DWG No
			W.FIGHT	180gr	CHECKED		9282T072
			COLOR		CONFIRMED	D.O'Connor	SHEET: 1/1 SCALE: 1:1